



## Solid Cable SF/UTP Cat.5e EconLine

### Technical Features

Category 5e

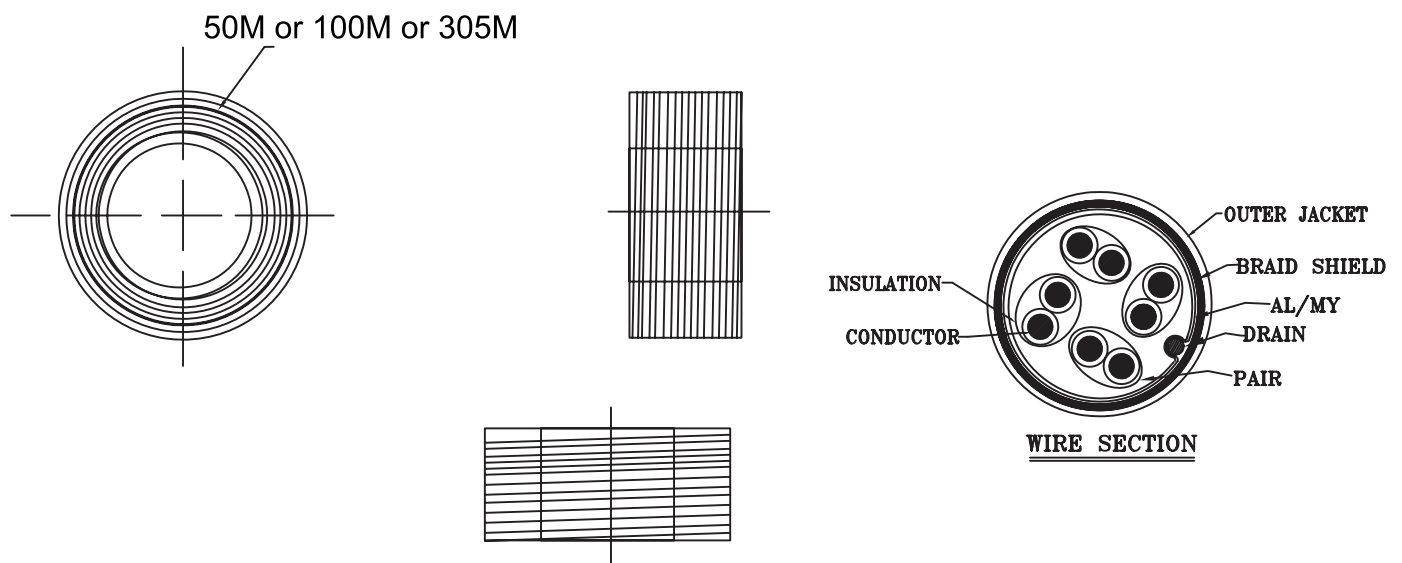
AWG 24 CCA

Double Shielded

PVC Jacket

Grey

### Technical Drawings



[www.logilink.com](http://www.logilink.com)



RoHS  
compliant



Made in China

\* The specifications and pictures are subject to change without notice.  
\*All trade names referenced are the registered namework of their respective owners.

Length	Part no.	EAN Code
50 m	CPV0030	4260113568026
100 m	CPV007	4260113563281
305 m	CPV009	4260113563304

## Package Contents

### Packaging Informations(CPV0030)

Packing Dimension	Ø20 x 9mm
Packing Weight	1.14kg
Carton Dimension	420 x 360 x 210mm
Carton Q'ty	10pcs
Carton Weight	13.7kg

### Packaging Informations(CPV007)

Packing Dimension	260 x 260 x 100mm
Packing Weight	2.58kg
Carton Dimension	540 x 280 x 320mm
Carton Q'ty	6pcs
Carton Weight	18kg



## Packaging Informations(CPV009)

Packing Dimension	370 x 370 x 210mm
Packing Weight	7.7kg
Carton Dimension	455 x 385 x 385mm
Carton Q'ty	2pcs
Carton Weight	17.8kg

