



Cat.6A Wall Outlet

Technical Features

Category 6A Class EA 10G 500 MHz

ISO/IEC 11801 and TIA/EIA 568B.2-10

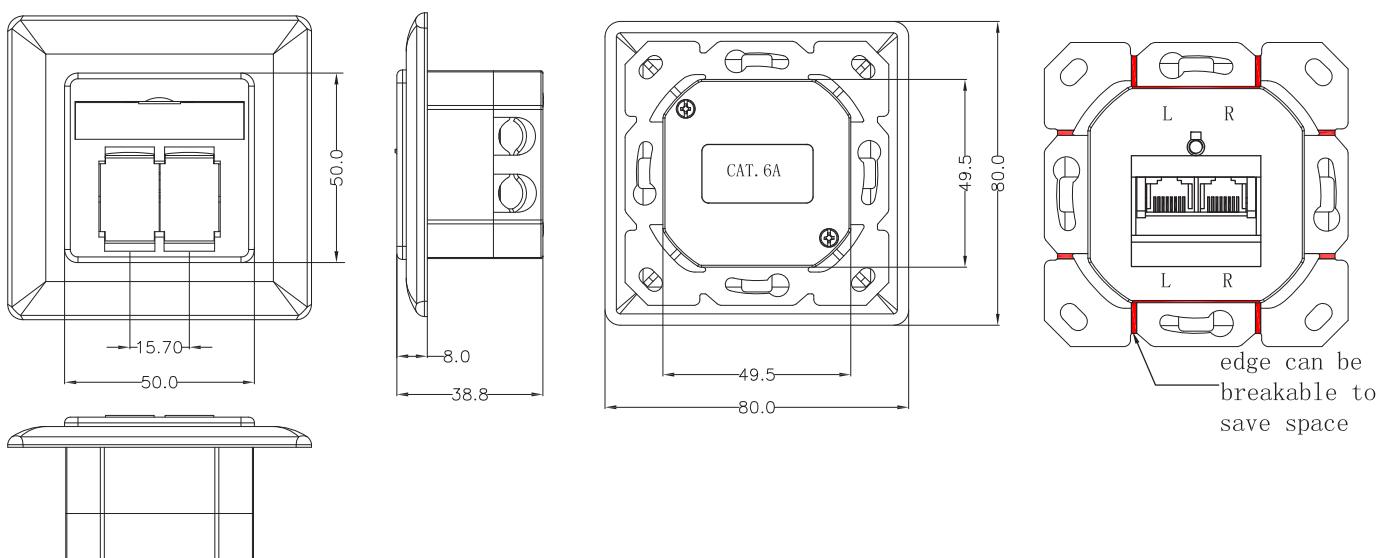
2 shielded RJ45 jacks 40° angled

Horizontal cable entry

Fully shielded housing

Flush-mounted type

Technical Drawings



www.logilink.com



RoHS
compliant



Made in China

* The specifications and pictures are subject to change without notice.
*All trade names referenced are the registered trademark of their respective owners.

Part no.	Color	EAN Code
NP0021	Pure white	4052792027204
NP0022	Pearl white	4052792027211

Package Contents

Cat.6A Wall Outlet x 1

Packaging Informations

Packing Dimension	80 x 80 x 40mm
Packing Weight	0.25kg
Carton Dimension	365 x 365 x 300mm
Carton Q'ty	64pcs
Carton Weight	17.6kg

